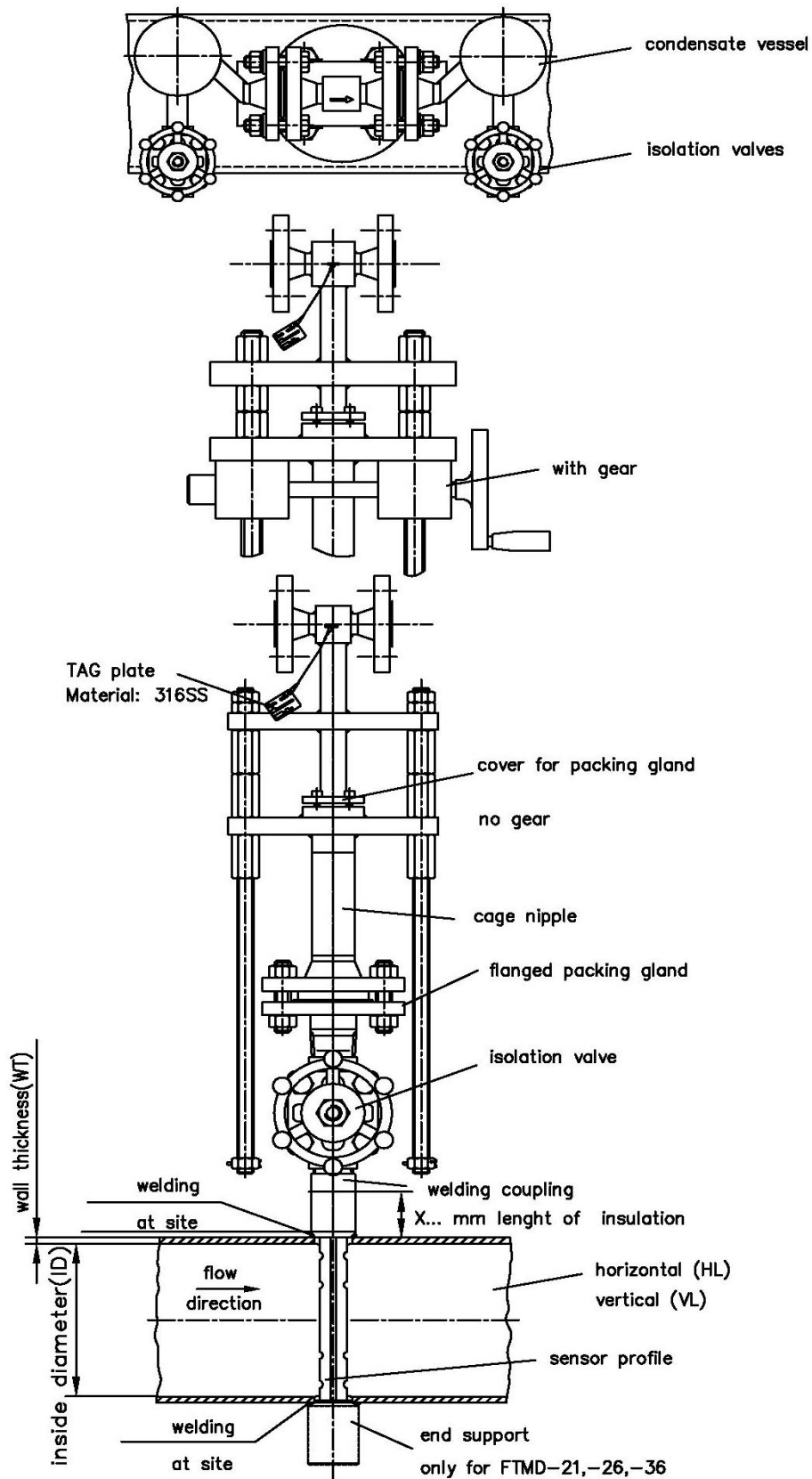


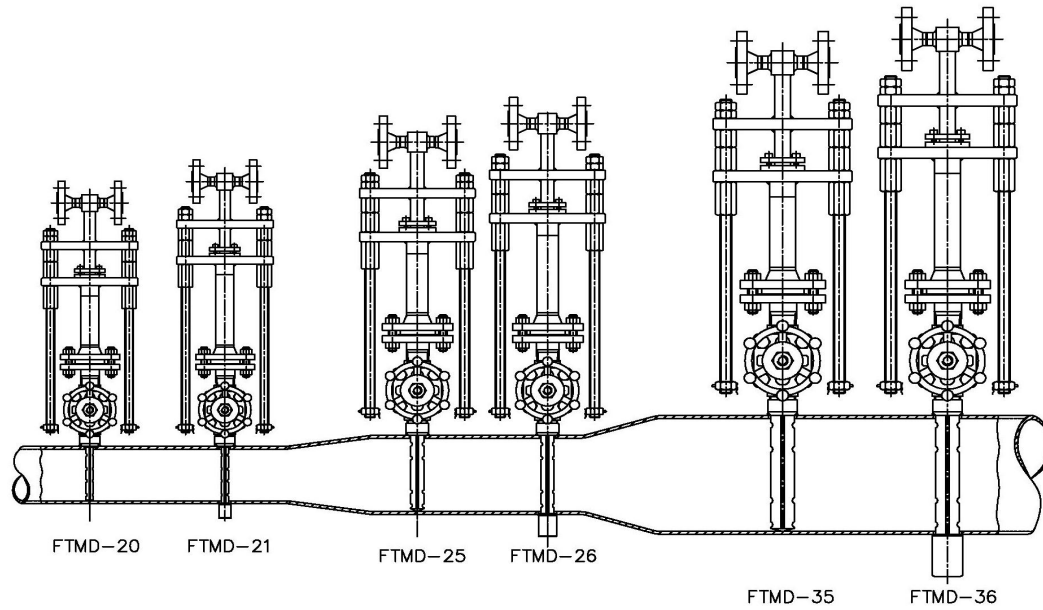
Itabar Pitot Tube-FTMD

Technical data

Threaded process connection
PN16-PN40 150lbs-300lbs
DN40-DN1200 11/2"-48"
Sensor Sizes: 20/25/35
T max.: 450°C / 842F
End support as an option
Retractable via gearing
Optional Gearbox
Condensation pots
Sensor material: 316Ti

Drawings for FTMD





Pipe Size DN	Pipe size (inches)	Maximum allowable volumetric flow in m ³ /h					
		Sensor type					
		FTMD -20	FTMD -21	FTMD -25	FTMD -26	FTMD -35	FTMD -36
DN 40	1 1/2	40	114	---	---	---	---
DN 50	2	59	161	---	---	---	---
DN 65	2 1/4	93	243	---	---	---	---
DN 80	3	130	328	---	---	---	---
DN 100	4	179	439	205	544	---	---
DN 125	5	---	---	281	719	---	---
DN 150	6	---	---	358	894	---	---
DN 200	8	---	---	515	1242	---	---
DN 250	10	---	---	687	1623	---	---
DN 300	12	---	---	872	2034	1757	4204
DN 350	14	---	---	1053	2433	2142	5067
DN 400	16	---	---	1226	2828	2532	5938
DN 500	20	---	---	1592	3627	3283	7611
DN 600	24	---	---	1949	4423	4052	9327
DN 700	28	---	---	2318	5237	4851	11106
DN 800	32	---	---	2704	6099	5667	12930
DN 900	36	---	---	---	7000	---	14790
DN 1000	40	---	---	---	7921	---	16614
DN 1200	48	---	---	---	9763	---	20450