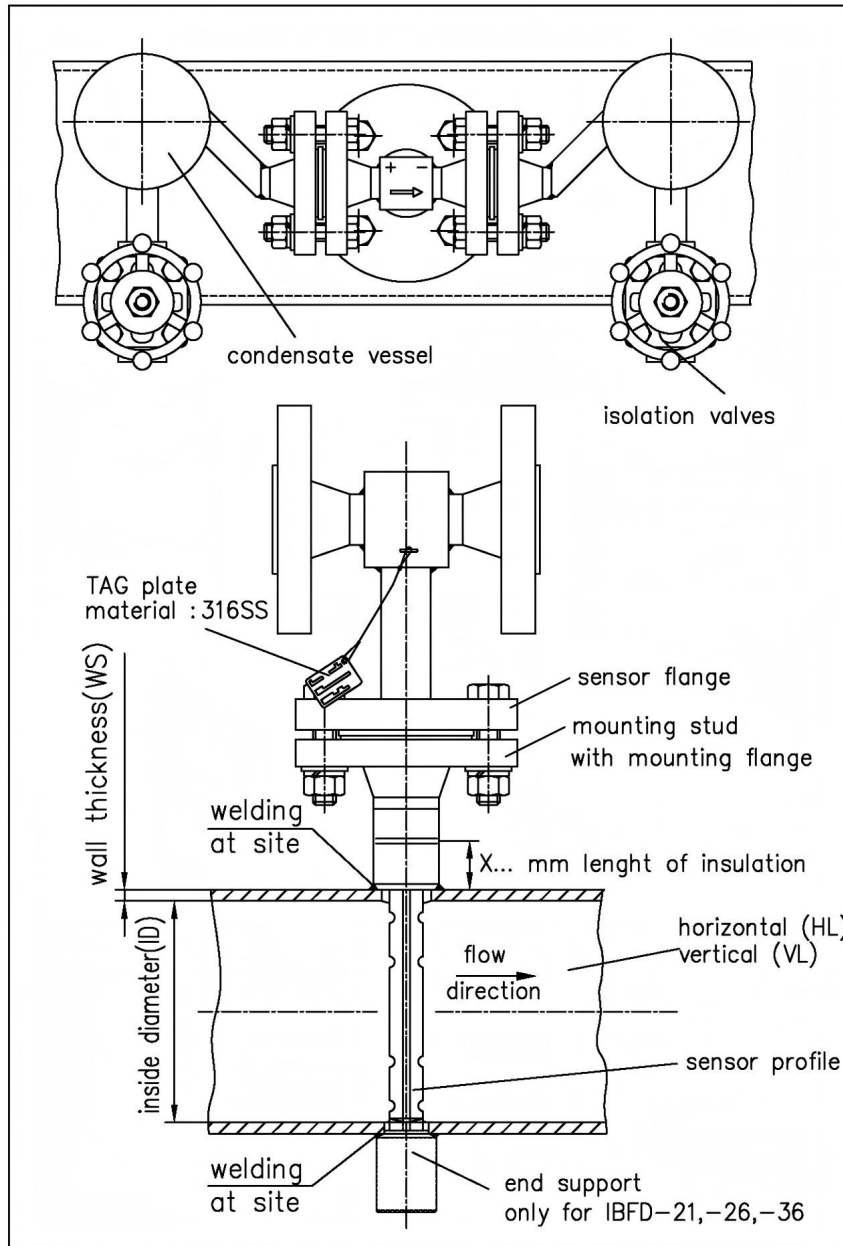


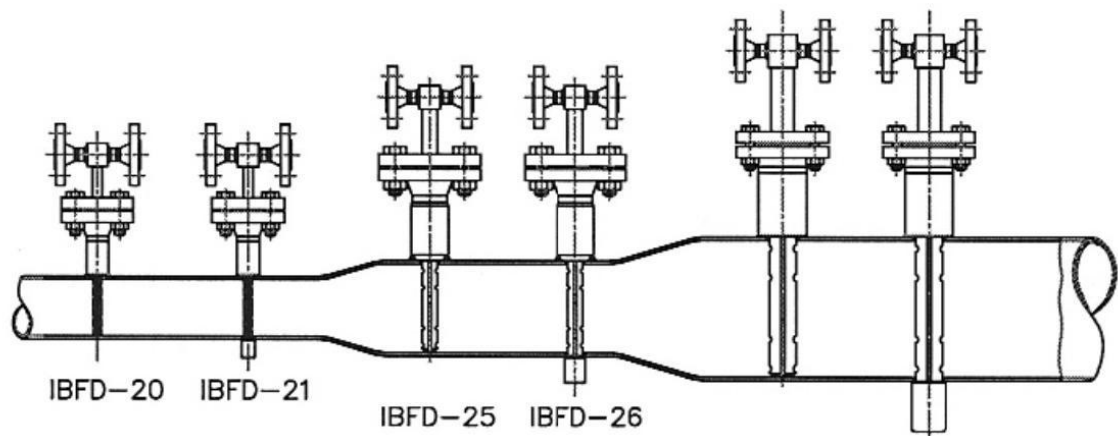
Itabar Pitot Tube-IBFD

Technical data

Flanged process connection
PN16-PN400 150lbs-2500lbs
DN40-DN1000 11/2"-32"
Sensor Sizes: 20/25/35
T max.: 450°C / 842F
End support as an option
Condensation pots
Sensor material: AISI 316Ti
Max. Operating pressure: 100 bar

b) Drawing for IBFD





Pipe ID inches mm		Maximum Flow Volume m ³ /h					
		IBFD-20	IBFD-21	IBFD-25	IBFD-26	IBFD-35	IBFD-36
1 ½	DN 40	29	114	---	---	---	---
2	DN 50	59	161	---	---	---	---
2 ¼	DN 65	95	243	---	---	---	---
2 ½	DN 80	130	328	---	---	---	---
4	DN 100	179	439	205	544	---	---
5	DN 125	238	570	281	719	---	---
6	DN 150	---	---	358	894	---	---
8	DN 200	---	---	61	1242	---	---
10	DN 250	---	---	687	1623	---	---
12	DN 300	---	---	872	2034	1757	4204
14	DN 350	---	---	1053	2433	2142	5067
16	DN 400	---	---	1226	2818	2532	5942
20	DN 500	---	---	1592	3627	3283	7611
24	DN 600	---	---	1949	4420	4052	9327
28	DN 700	---	---	2318	5237	4846	11106
32	DN 800	---	---	2701	6099	7937	12930
36	DN 900	---	---	---	7000	---	14790
40	DN 1000	---	---	---	7921	---	16674