

### **XYRPS10 Thread Type**

Junction Box : Aluminum Alloy (IP65)

Installation method : vertical or horizontal

Voltage : 220v/AC 110v/AC 24v/DC

Power : 3W

Connector capacity : SPDT 5A/250v/AC

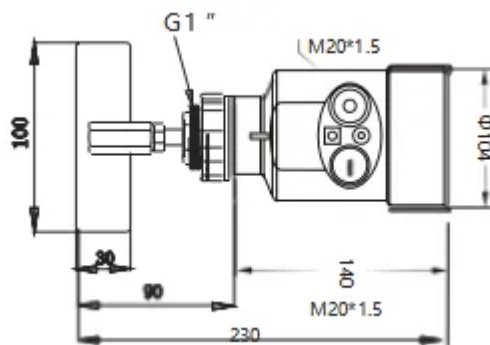
Process connection : G1" thread (customization acceptable)

Blade rotation speed : 1RPM

Measuring torque : 0.1-1.0 KG.CM

Temperature resistance : -20°C-80°C

Applicable specific gravity :  $\geq 0.5\text{g/cm}^3$



### **XYRPS20 Flange Type**

Junction Box : Aluminum Alloy (IP65)

Installation method : vertical or horizontal

Voltage : 220v/AC 110v/AC 24v/DC

Power : 3W

Connector capacity : SPDT 5A/250v/AC

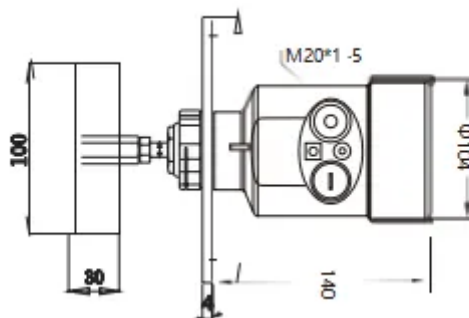
Process connection : Thread and flange optional

Blade rotation speed : 1RPM

Measuring torque : 0.1-1.0 KG.CM

Temperature resistance : -20°C-80°C

Applicable specific gravity :  $\geq 0.5\text{g/cm}^3$



### **XYRPS21 High temperature flange type**

Junction Box : Aluminum Alloy (IP65)

Installation method : vertical or horizontal

Voltage : 220v/AC 110v/AC 24v/DC

Power : 3W

Connector capacity : SPDT 5A/250v/AC

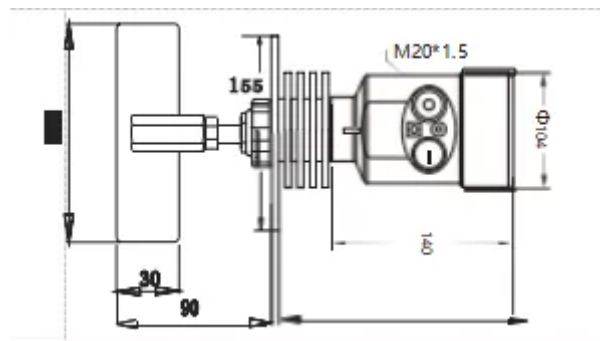
Process connection : Thread and flange optional

Blade rotation speed : 1RPM

Measuring torque : 0.1-1.0 KG.CM

Temperature resistance : -20°C-200°C (MAX 350°C)

Applicable specific gravity :  $\geq 0.5\text{g/cm}^3$



### **XYRPS21 High temperature threaded type**

Junction Box : Aluminum Alloy (IP65)

Installation method : vertical or horizontal

Voltage : 220v/AC 110v/AC 24v/DC

Power : 3W

Connector capacity : SPDT 5A/250v/AC

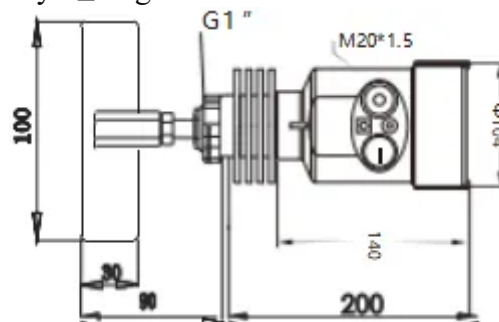
Process connection : G1" thread (customization acceptable)

Blade rotation speed : 1RPM

Measuring torque : 0.1-1.0 KG.CM

Temperature resistance : -20°C-200°C (MAX 350°C)

Applicable specific gravity :  $\geq 0.5\text{g/cm}^3$



### **XYRPS30 Shaft length adjustable type**

Junction Box : Aluminum Alloy (IP65)

Installation method : vertical or horizontal

Voltage : 220v/AC 110v/AC 24v/DC

Power : 3W

Connector capacity : SPDT 5A/250v/AC

Process connection : Thread and flange optional

Blade rotation speed : 1RPM

Measuring torque : 0.1-1.0 KG.CM

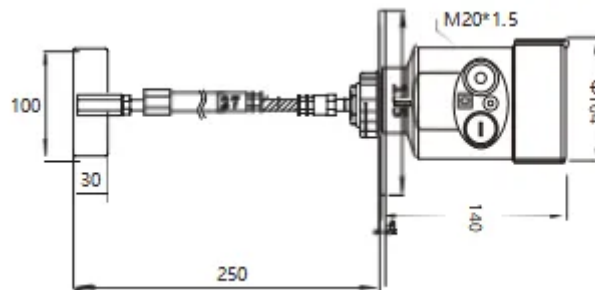
Temperature resistance : -20°C-80°C

Applicable specific gravity :  $\geq 0.5\text{g/cm}^3$

L=450mm can be adjusted to 650mm

L=650mm can be adjusted to 1000mm

L=750mm can be adjusted to 1200mm



### **XYRPS31 High temperature Shaft length adjustable type**

Junction Box : Aluminum Alloy (IP65)

Installation method : vertical or horizontal

Voltage : 220v/AC 110v/AC 24v/DC

Power : 3W

Connector capacity : SPDT 5A/250v/AC

Process connection : Thread and flange optional

Blade rotation speed : 1RPM

Measuring torque : 0.1-1.0 KG.CM

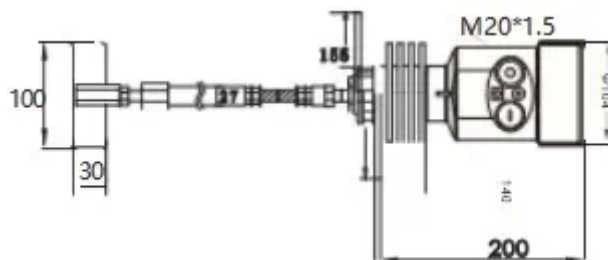
Temperature resistance : -20°C-200°C (MAX 350°C)

Applicable specific gravity :  $\geq 0.5\text{g/cm}^3$

L=450mm can be adjusted to 650mm

L=650mm can be adjusted to 1000mm

L=750mm can be adjusted to 1200mm



### **XYRPS40 Shaft protection tube type**

Junction Box : Aluminum Alloy (IP65)

Installation method : vertical or horizontal

Voltage : 220v/AC 110v/AC 24v/DC

Power : 3W

Connector capacity : SPDT 5A/250v/AC

Process connection : Thread and flange optional

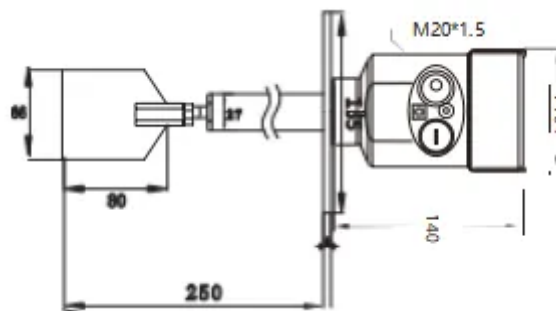
Blade rotation speed : 1RPM

Measuring torque : 0.1-1.0 KG.CM

Temperature resistance : -20°C-80°C

Applicable specific gravity :  $\geq 0.5\text{g/cm}^3$

L=250mmL=500mmL=750mm



### **XYRPS41 High temperature Shaft protection tube type**

Junction Box : Aluminum Alloy (IP65)

Installation method : vertical or horizontal

Voltage : 220v/AC 110v/AC 24v/DC

Power : 3W

Connector capacity : SPDT 5A/250v/AC

Process connection : Thread and flange optional

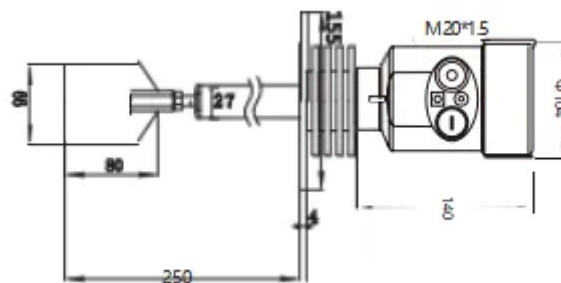
Blade rotation speed : 1RPM

Measuring torque : 0.1-1.0 KG.CM

Temperature resistance : -20°C-200°C (MAX 350°C)

Applicable specific gravity :  $\geq 0.5\text{g/cm}^3$

L=250mmL=500mmL=750mm



### **XYRPS50 Cable Type**

Junction Box : Aluminum Alloy (IP65)

Installation method : vertical or horizontal

Voltage : 220v/AC 110v/AC 24v/DC

Power : 3W

Connector capacity : SPDT 5A/250v/AC

Process connection : Thread and flange optional

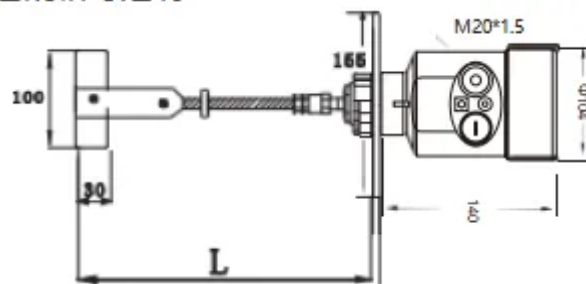
Blade rotation speed : 1RPM

Measuring torque : 0.1-1.0 KG.CM

Temperature resistance : -20°C-80°C

Applicable specific gravity :  $\geq 0.5\text{g/cm}^3$

L=450mm L=650mm L=750mm



### **XYRPS80 Small thread**

Junction Box : Aluminum Alloy (IP65)

Installation method : vertical or horizontal

Voltage : 220v/AC 110v/AC 24v/DC

Power : 3W

Connector capacity : SPDT 5A/250v/AC

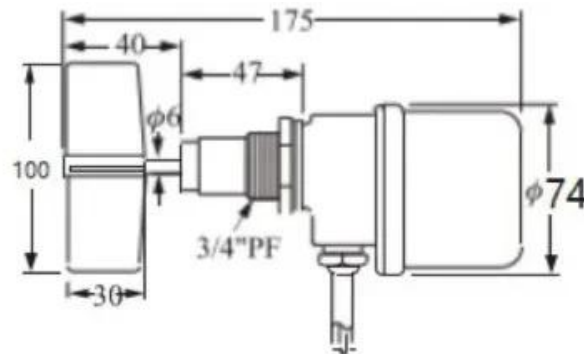
Process connection : G3/4" thread

Blade rotation speed : 1RPM

Measuring torque : 30-100g.CM

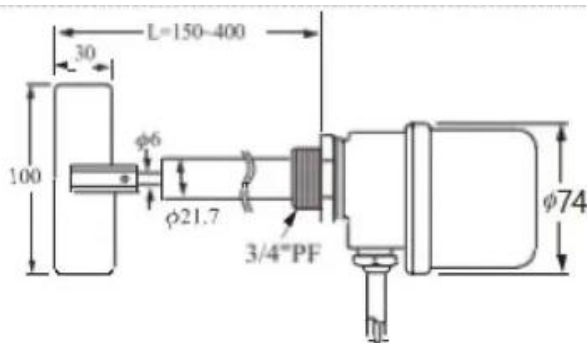
Temperature resistance : -20°C-80°C

Applicable specific gravity : 0.3g/cm<sup>3</sup>



### **XYRPS82 Small shaft-length protective tube**

Junction Box : Aluminum Alloy (IP65)  
Installation method : vertical or horizontal  
Voltage : 220v/AC 110v/AC 24v/DC  
Power : 3W  
Connector capacity : SPDT 5A/250v/AC  
Process connection : G3/4" thread  
Blade rotation speed : 1RPM  
Measuring torque : 30-100g.CM  
Temperature resistance : -20°C-80°C  
Applicable specific gravity : 0.3g/cm<sup>3</sup>  
L=250mm L=500mm



### **XYRPS81 Small high-temperature shaft protection tube**

Junction Box : Aluminum Alloy (IP65)  
Installation method : vertical or horizontal  
Voltage : 220v/AC 110v/AC 24v/DC  
Power : 3W  
Connector capacity : SPDT 5A/250v/AC  
Process connection : G3/4" thread  
Blade rotation speed : 1RPM  
Measuring torque : 30-100g.CM  
Temperature resistance : -20°C-200°C  
Applicable specific gravity : 0.3g/cm<sup>3</sup>  
L=250mm L=500mm

